



ROOTS · PD METER



MJA(Standard)



MJAR(Restable)



High Temperature type
(For JAH Series)



MJA (High Temperature)



MJA (Signal Output)

Ordering Information (Roots)

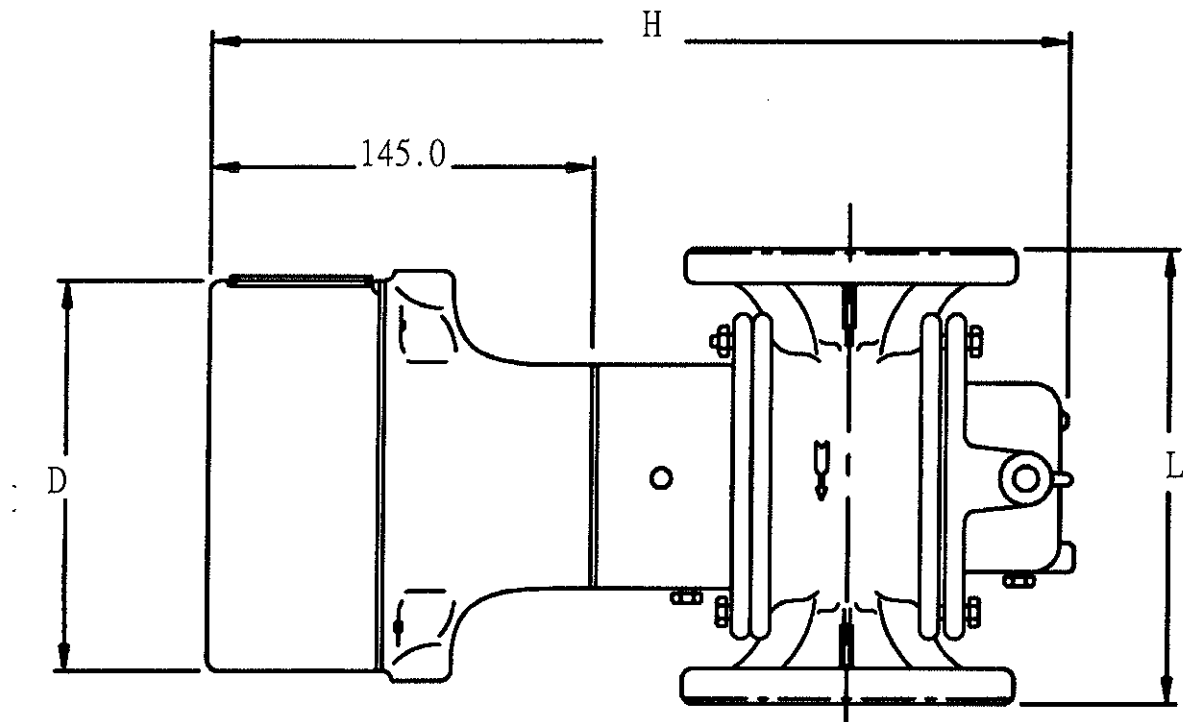
Model No	Body Material
MJA Standard Type	(A)Cast Iron (B)Carbon Steel (C)SUS 304 (D)SUS 316
MJAR Zero Resettable	Inner Housing/Roots (1)Cast Iron (2)Bonze (3)Aluminum (4)SUS 304 (5)SUS 316
MJAH High Temperature	Proof Type (IP65) (1)Weather (2)Explosion
Size Connection 25A、40A、50A、80A	Signal Output (1)100cc/pluse (2)1 liter/pluse (3) 10 liter/pluse (4)Without
Flange JIS10K、JIS20K ANSI150# 300#	
MJA 25A (JIS 10K) - A 1 1 1	

FLOW RANGE : 400-45000 L/HR

ACCURACY : ±0.5%

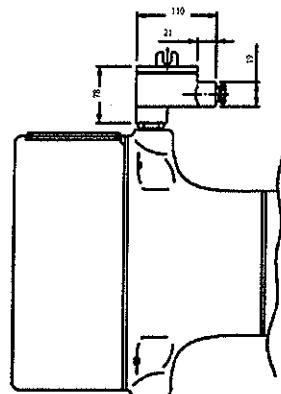
Root Type Positive Displacement Flow Meter

Dimensions Size

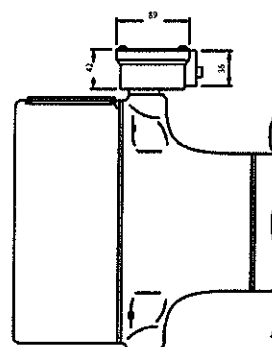


Standard type

TYPE	D	L	H
3/4" MJA-20A	110	175	175
1" MJA-25A	180	200	325
1½" MJA-40A	180	200	325
2" MJA-50A	180	250	375
3" MJA-80A	180	325	430



Type : Explosion



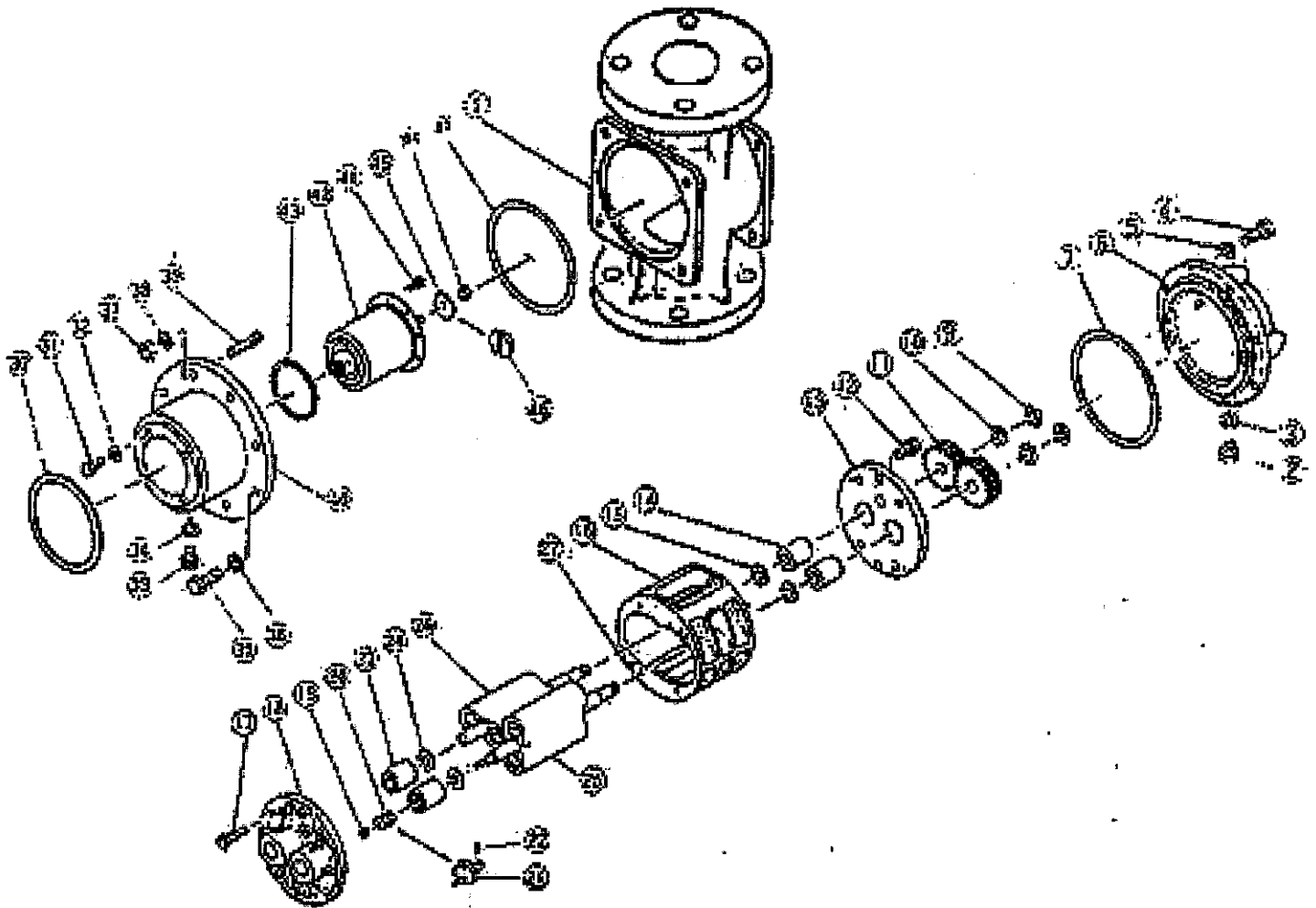
Type : Weather

Petroleum

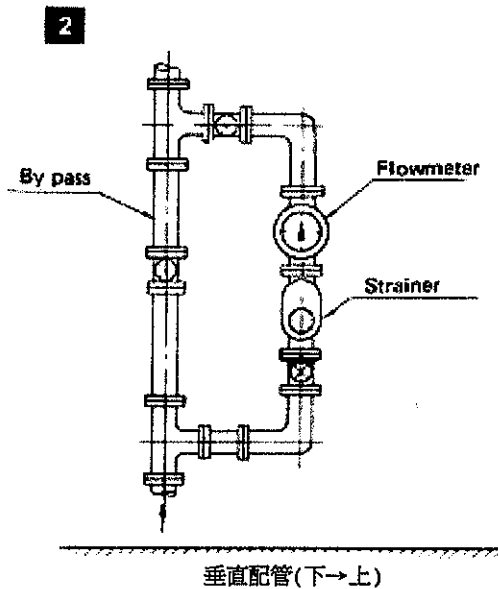
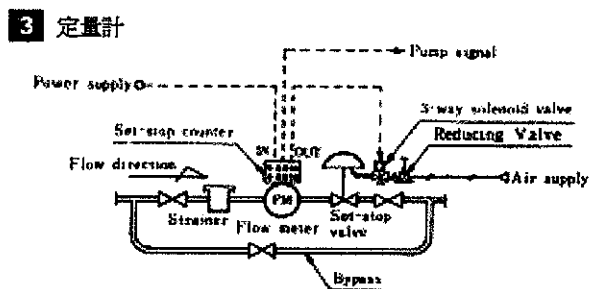
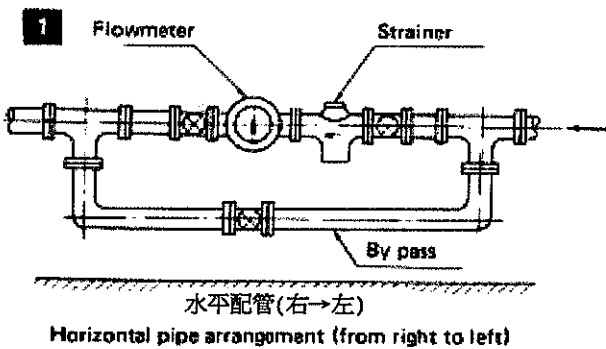
name of applicable fluid (reference)			Gasoline	Kerosene	light oil A-heavy oil (high temp)	A-heavy oil	B-heavy oil (common temp) C-heavy oil (high temp.)	C-heavy oil	C-heavy oil	high viscosity fluid	
type number	diameter (mm)	viscosity		0.5~	2	5~	10~	50~	150~	500~	2000~
		terms	norma								
MJA	20	norma	intermittent	400~1,000	300~1,500	150~1,500	150	20~2,000	10~2,000	4~1,500	2~1,000
			cont inuous	400~8,000	300~1,000	150~1,000	40~2,000	20~1,500	10~1,500	4~1,000	2~800
		max imum	1,000	1,500	1,500	40~1,500	2,000	2,000	1,500	1,000	
MJA	25	norma	intermittent	1,000~5,500	800~6,000	400~6,000	100~7,000	50~7,000	25~7,000	13~6,000	7~5,500
			cont inuous	1,000~3,500	800~5,000	400~5,000	100~6,000	50~6,000	25~6,000	13~4,000	7~3,500
		max imum	6,000	7,000	7,000	7,000	8,000	8,000	6,000	5,500	
MJA	50	norma	intermittent	2,000~10000	1,500~12000	800~12,000	250~15,000	100~15,000	50~15,000	20~12,000	10~10,000
			cont inuous	2,000~7,000	1,500~9,000	800~9,000	250~12,000	100~12,000	50~12,000	20~10,000	10~7,000
		max imum	14,000	15,000	15,000	17,000	17,000	17,000	12,000	10,000	
MJA	80	norma	intermittent	5,000~28000	3,500~35000	1,800~35000	600~40,000	600~40,000	150~40,000	70~35,000	30~28,000
			cont inuous	5,000~17000	3,500~25000	1,800~25000	600~35,000	300~35,000	150~35,000	70~20,000	70~17,000
		max imum	35,000	40,000	40,000	45,000	45,000	45,000	35,000	28,000	

type number	diameter (mm)	viscosity		Water		Chemicals		Petrochemicals		
		terms	norma	80°C less normal temp	80~120°C high temp	concentrated sulfuric acid nitric acid	caust icsoda 30%	plasticizer 50cp	tar 500cp	polyester 2000cp
MJA	20	norma	intermittent	300~800	————	300~800	40~1,000	20~1,000	4~1,500	2~1,000
			cont inuous	300~600	————	300~600	40~800	20~800	4~1,000	2~800
		max imum	800	————	800	1,000	1,000	1,500	1,000	
MJA	25	norma	intermittent	500~1,800	600~1,500	500~1,500	70~3,500	35~3,500	8~3,500	4~2,800
			cont inuous	500~1,500	600~1,300	500~1,200	70~2,000	35~2,000	8~2,500	4~1,800
		max imum	2,800	2,000	1,500	4,000	4,000	3,500	2,800	
MJA	40	norma	intermittent	800~3,500	1,000~3,000	800~3,000	100~6,000	50~6,000	13~6,000	7~5,500
			cont inuous	800~2,500	1,000~2,000	800~2,500	100~4,000	50~4,000	13~4,000	7~3,500
		max imum	5,500	4,000	4,000	7,000	7,000	6,000	5,500	
MJA	50	norma	intermittent	1,500~6,500	2,000~5,000	1,500~5,000	250~12,000	100~12,000	20~12,000	10~10,000
			cont inuous	1,500~5,000	2,000~4,000	1,500~4,000	250~8,000	100~8,000	20~10,000	10~7,000
		max imum	10,000	6,000	5,500	15,000	15,000	12,000	10,000	
MJA	80	norma	intermittent	3,500~20,000	5,000~17,000	3,500~15,000	600~35,000	300~35,000	70~35,000	30~28,000
			cont inuous	3,500~15,000	5,000~10,000	3,500~12,000	600~20,000	300~20,000	70~20,000	30~17,000
		max imum	25,000	20,000	20,000	40,000	40,000	35,000	28,000	
MJA	100	norma	intermittent	10,000~45,000	16,000~35,000	10,000~30,000	1,500~80,000	1,500~80,000	350~80,000	170~70,000
			cont inuous	10,000~35,000	16,000~30,000	10,000~25,000	1,500~60,000	1,500~60,000	350~60,000	170~50,000
		max imum	60,000	50,000	40,000	100,000	100,000	80,000	70,000	

Parts list For Model : MJA25 And MJA40



使用方法



注意事項：

1. 流量計之故障多因配管時 Roots 內介入雜物所引起故請特別留意。
2. 裝配流量計時須注意不使器體扭歪，進出口方向不可顛倒。
3. 過濾器必須如圖示直接連結流量計，又設置旁道管 (By pass) 為佳。
4. 新配之管線中大多數均積垢細小芥塵，因此裝配流量計之前管內需清洗及吹氣乾淨為要。
5. 請遵照指針部銘板所刻印之流量、壓力及溫度範圍內使用。
6. 本錶為水平設計裝配時錶面請不可朝上。